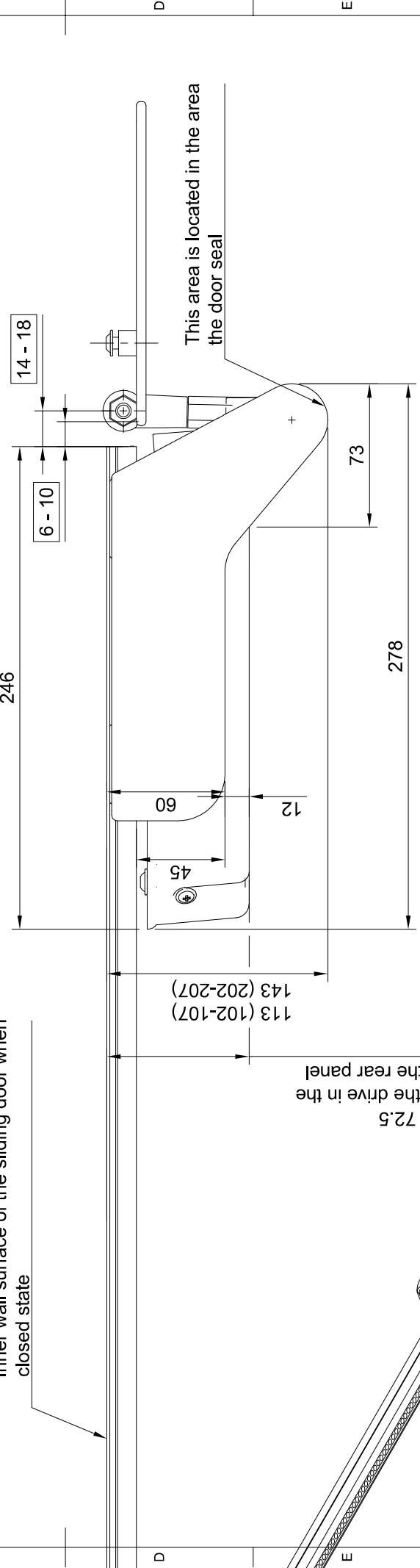
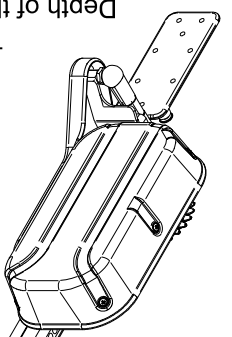



Inner wall surface of the sliding door when closed state



72.5
Depth of the drive in the area of the rear panel



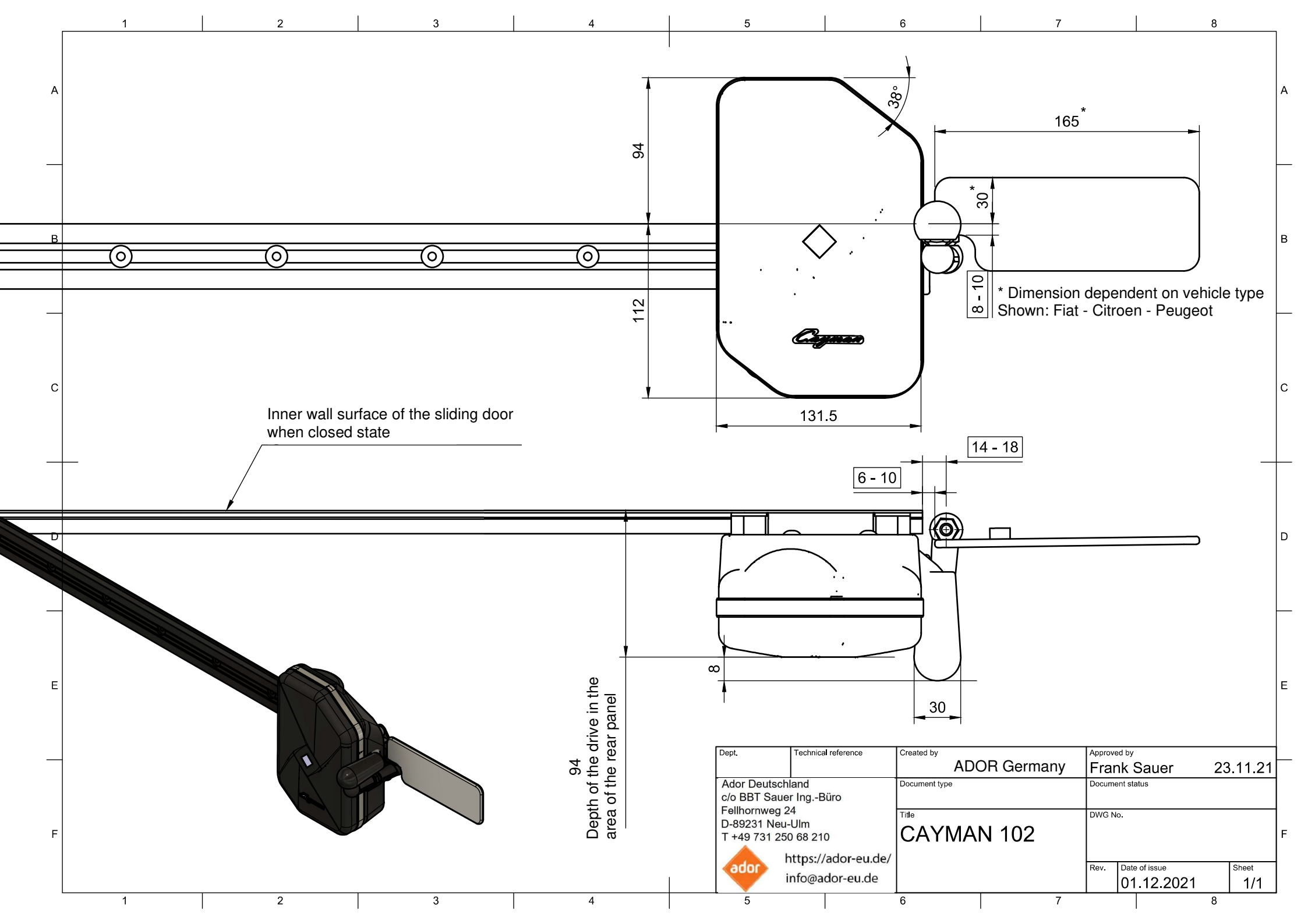
Dept.	Technical reference	Created by	Approved by
Ador Deutschland c/o BBT Sauer Ing.-Büro Fellhornweg 24 D-89231 Neu-Ulm T +49 731 250 68 210 		Ador Germany	Frank Sauer
		Document type	Document status
		PDF	
		Title	DWG No.
		CROCO 102/107 CROCO 202/207	ADCRC10202
		Bsp. Fiat - Citroen - Peugeot	Rev. 0
			Date of issue 01.09.2022
			Sheet 1/1

F

F

8


8



Inner wall surface of the sliding door when closed state

94
Depth of the drive in the area of the rear panel

* Dimension dependent on vehicle type
Shown: Fiat - Citroen - Peugeot

Dept.	Technical reference	Created by ADOR Germany	Approved by Frank Sauer 23.11.21
Ador Deutschland c/o BBT Sauer Ing.-Büro Fellhornweg 24 D-89231 Neu-Ulm T +49 731 250 68 210  https://ador-eu.de/ info@ador-eu.de		Document type	Document status
		Title CAYMAN 102	DWG No.
Rev.	Date of issue 01.12.2021	Sheet 1/1	