

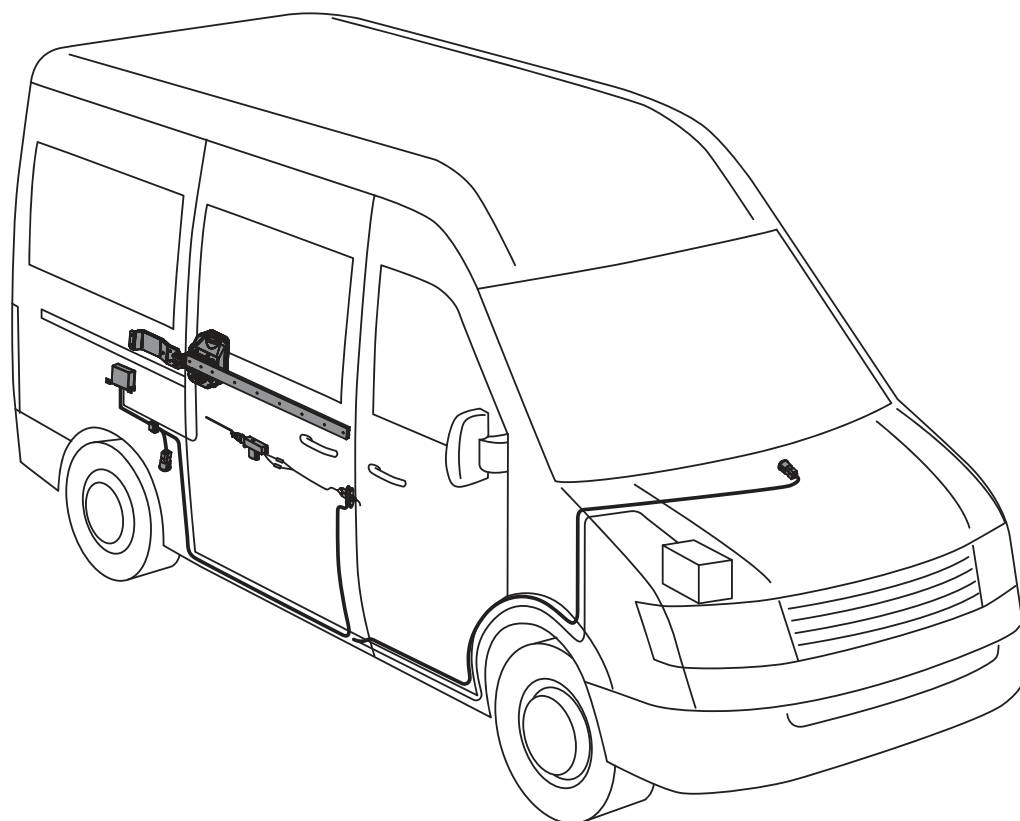
# RACK AND PINION DRIVE

01.01.2025



## CAYMAN

### OPERATIONS MANUAL CAYMAN 102, 202



FIAT DUCATO / CITROEN JUMPER / PEUGEOT BOXER  
FORD TRANSIT from 2015  
IVECO DAILY  
MERCEDES SPRINTER (906, 907) / VW CRAFTER to 2018  
RENAULT MASTER  
VW CRAFTER from 2018 / MAN TGE  
TOYOTA HIACE


Version 64.00

## Symbols and means of visualisation

### Warnings




Warning notices are used in these instructions to warn you of damage to property and personal injury.

- ▶ Always read and follow these warnings.
- ▶ Follow all measures labelled with the warning symbol and warning word.

Warning symbol	Warning word	Meaning
	<b>WARNING</b>	Hazards for persons. Non-observance can lead to serious injuries.

### Other symbols and visualisation aids

Important information and technical instructions are specially emphasised to clarify correct operation.

Symbol	Meaning
	means 'Important information'. Information to prevent material damage, to understand or optimise work processes.
	means 'additional information'
	Symbol for an action: You have to do something here. ▶ Keep to the sequence for several action steps.

## Product liability

In accordance with the manufacturer's liability for its products as defined in the Product Liability Act, the information contained in this brochure (product information and intended use, misuse, product performance, product maintenance, information and instruction obligations) must be observed. Failure to do so releases the manufacturer from his liability obligation.

## Applicable documents

Type	Name
Operations Manual	Croco 102/202, 107/207

The plans are subject to change. Only use the latest version.

## 1.1 Intended use

The Cayman 102, 202 rack-and-pinion drive is designed for the automatic opening and closing of sliding doors. The door operator is only suitable for use in panel vans. This door operator fulfils the requirements of UN/ECE R107, 7.6.5.

Any use other than the intended use, e.g. permanent manual operation, and all modifications to the product are not permitted. Observe the 'ADOR product information for drives'.

## 1.2 Safety instructions

- > Prescribed installation and maintenance work must be carried out by qualified personnel.
- > Assembly requires holes to be drilled in the body parts. The exact position of these drill holes is required in order to maintain the positional accuracy of the assembled components.
- > The country-specific laws and regulations must be observed for safety inspections must be observed.
- > Unauthorised modifications to the drive exclude any liability on the part of ADOR for resulting damage.
- > ADOR accepts no warranty for combinations with third-party products.
- > Only original ADOR parts may be used for repair and maintenance work.
- > In accordance with the Machinery Directive 2006/42/EC, a hazard analysis must be carried out before the door system is a risk analysis must be carried out and the door system labelled in accordance with the CE marking directive 93/68/EEC.
- > Observe the latest directives, standards and country-specific regulations, in particular:
  - > DIN VDE 0100-600: 'Installation of low-voltage systems; Part 6: Tests'
  - > DIN EN 60335-2-103, DIN 18263-4
  - > Accident prevention regulations, in particular BGV A1 'Principles and prevention' and BGV A3 DA 'Implementation instructions for the accident prevention regulation 'Electrical Installations and Equipment'



The product should be installed in such a way that easy access to the product for repairs possible repairs and/or maintenance with relatively little effort and that any and any removal costs are not disproportionate to the economic value of the product. disproportionate to the value of the product.

Congratulations on your purchase of this sliding door driveCROCO and hope that you are satisfied with its functions.

If you have any questions regarding maintenance or repair, please contact ADOR.

You are welcome to send us questions or suggestions by e-mail to [info@ador-eu.de](mailto:info@ador-eu.de).

Careless use of this drive can be dangerous.

People, especially children, can be injured by the moving sliding door.



The responsibility for the safe operation of this automated sliding door lies with the driver of the vehicle.

The enclosed sticker must be affixed to the outside of the vehicle so that it is clearly legible, see page 4.

These operating instructions provide you with information on maintenance and problems such as malfunctions and breakdowns.



The sliding door may only be operated when the vehicle is stationary. when the vehicle is stationary.

Failure to do so is negligent and may result in personal injury. personal injury. Damage to the drive is possible.

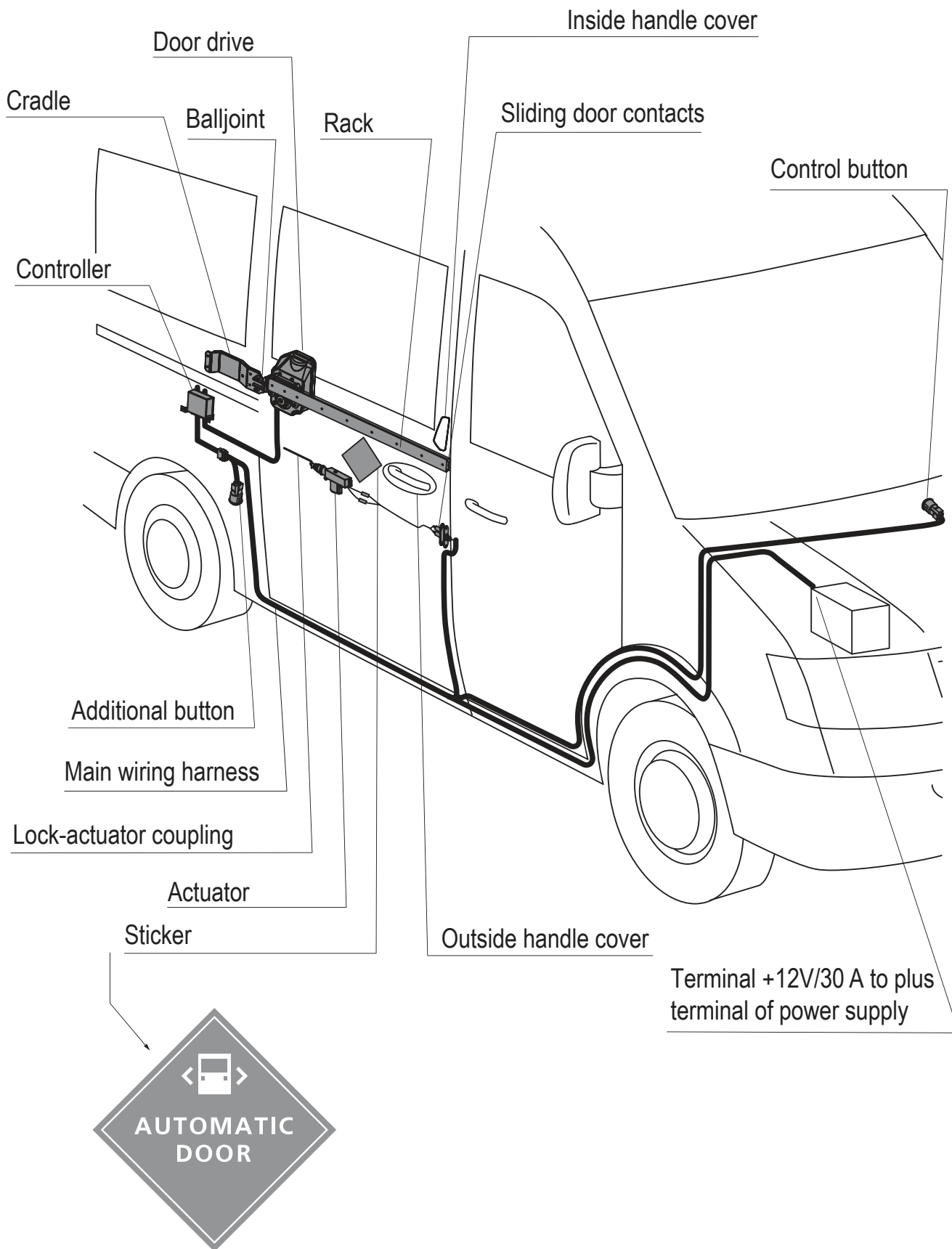


This door operator fulfils the requirements of UN/ECE R107, 7.6.5.

CAYMAN drive is designed for opening and closing doors in minibuses working as taxi buses or camper vans. You will find a list of models on the cover page.  
If your model is not listed, please ask us.

Technical data	
Power consumption (rating)	70 W
Power consumption (max)	250 W
Door-opening time, (it depends upon the opening width adjustment)	2 - 6 Sek.
Door-closing time, (it depends upon the opening width adjustment)	2 - 6 Sek.
Category temperature range	-40°C bis +40°C
Maximum slop for the door to be closed	15%
Resources	Not less then 1.200.000 cycles
Max. driving power	370 N (37 kg)

**i** The reliability and durability of this drive depends largely on the installation work



**OPENING / CLOSING THE SLIDING DOOR**

Press the control button briefly, ~ 0.5 sec. The sliding door starts moving immediately after the control button is released.

**STOPPING THE OPENING MOVEMENT**

To stop the sliding door during the opening movement, briefly press the control button. Pressing the control button again closes the sliding door.

**STOPPING THE CLOSING MOVEMENT**

To stop the sliding door during the closing movement, press the control button once briefly. The sliding door immediately moves immediately to the open position.

**AUTOMATIC RETURN DURING THE CLOSING MOVEMENT**

If there is a risk of collision with or entrapment of persons or objects, the the sliding door stops and returns to the open position.

**SETTING THE DOOR OPENING WIDTH**

Open the sliding door manually and move it to the desired open position. Now press and hold the control button until the acoustic signal sounds twice, ~ 10 sec, then release the control button.

The new open position is saved.



The controller stops the drive 20 mm before this open position.  
Recommendation: move the desired open position 20 mm further.

**SETTING THE DOOR CLOSING SPEED**

Press the control button until the acoustic signal sounds four times, ~ 20 sec, then release the button.

TO REDUCE THE SPEED, it is necessary to press the control button several times while the sliding door is opening.

Each time the button is pressed, the speed is reduced by one level.

TO INCREASE SPEED, it is necessary to press the control button several times while the sliding door is closed. Each time the button is pressed, the speed is increased by one level.

**RESTORING THE FACTORY SETTING**

Press and hold the control button until the acoustic signal sounds five times, ~ 25 sec, then release the control button.



**The drive settings are reset to the factory settings in the event of a power failure.**

## Emergency door opening from the inside

1. Turn and hold the door handle (Fig. 1)
2. Push the drive diagonally outwards to the left (Fig. 1)
3. Open the door with the door handle to the right, (Fig. 1)

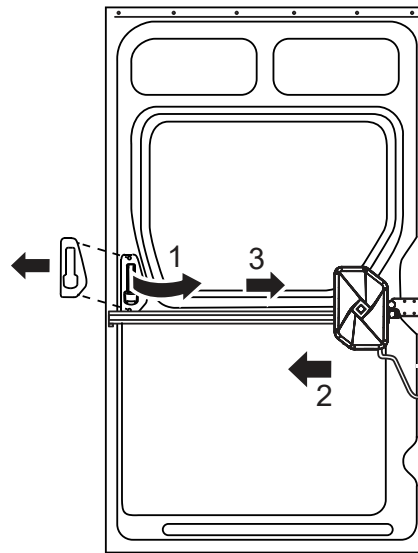


Fig. 1

## Emergency door opening from the outside

1. Pull and hold the door handle (Fig. 2)
2. Pull the left-hand part of the door towards you (Fig. 2)
3. Open the door with the door handle to the left, (Fig. 2)

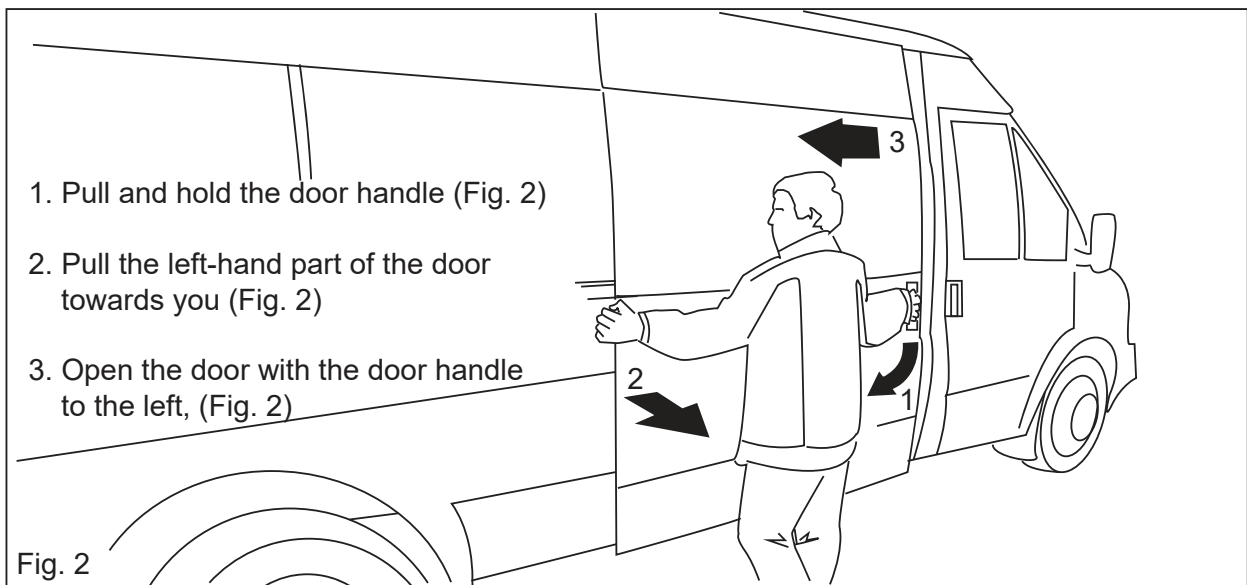


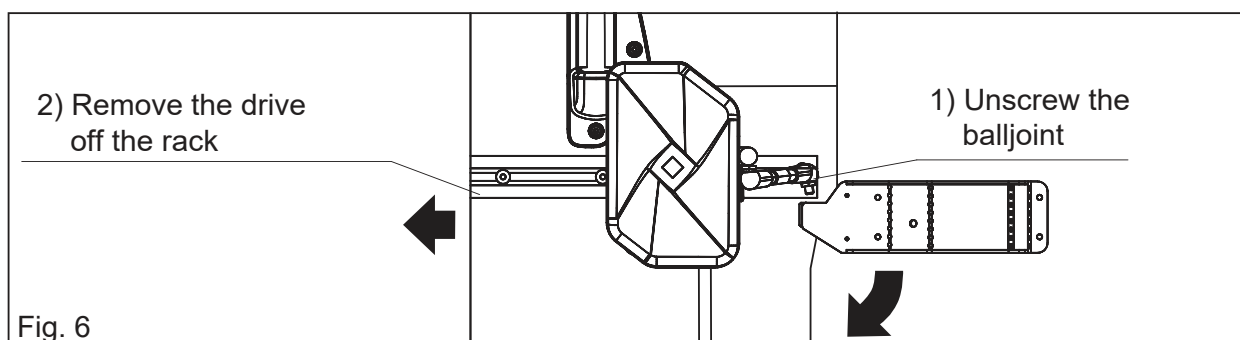
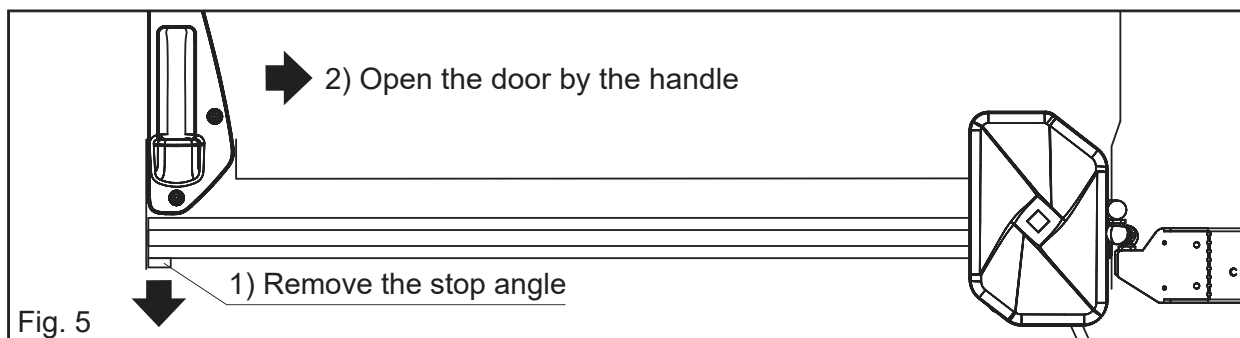
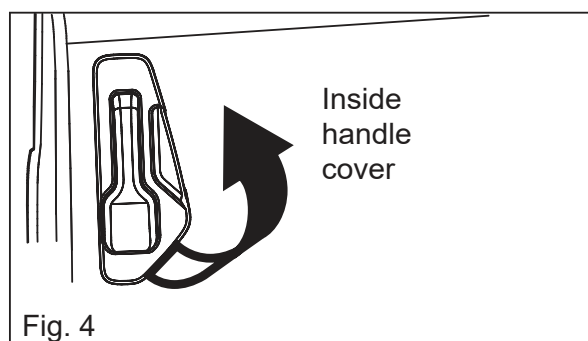
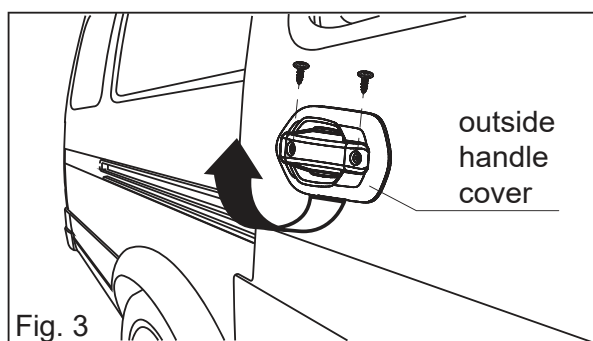
Fig. 2



## Manual mode reset

1. Remove the handle covers (Fig. 3 and 4).
2. Remove the stop angle (Fig. 5).
3. Open the door by the handle (Fig. 5).
4. Unscrew the balljoint (Fig. 6).
5. Remove the drive off the rack (Fig. 6).

The sliding door now operates manually.



In order to enjoy this drive for a long time, regular maintenance is required.

This depends largely on the frequency of use.

These tasks are listed in the following table.

If you are unable to carry out this work, please contact a vehicle service company for advice.

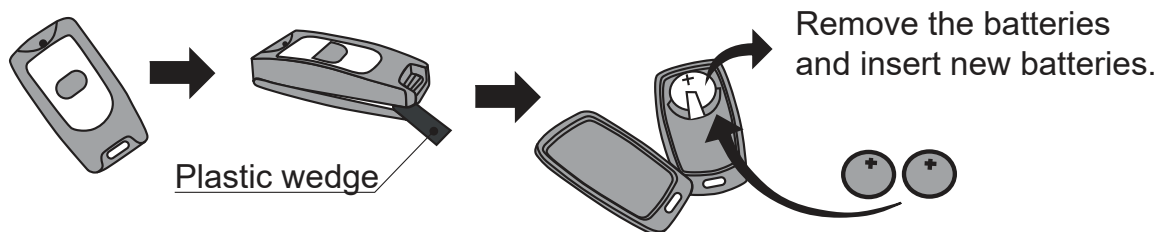
**MAINTENANCE**

No.	Operation	monthly	1/4 y.	1/2 y.	yearly
1	Visual inspection of drive and sliding door assemblies and parts	-	-	+	-
2	Wear inspection of sliding door contacts	-	-	+	-
3	Check the fastenings of the rack and retighten if necessary	-	-	-	+
4	Visual inspection of door gap	-	-	-	+
5	Checking the plug/socket connections of the main wiring harness	-	-	-	+
6	Adjust the ball joint if necessary	-	-	-	-
7	Check the fastenings of the cradle	-	-	-	+
8	Check condition of the belt, adjust the tension or replace if necessary	-	+	-	-

## Care instructions

No.	Type of work	Frequency
1	Clean and lubricate the rack (e.g. with WD 40)	weekly/ 1/4 yearly
2	Clean and grease door guides and carrige rollers	weekly/ 1/4 yearly
3	Clean and lubricate contacts groups	weekly/ 1/4 yearly
4	Check balljoint for wear and replace if nec.	1/2 yearly/ every 2 years

## Battery replacement (optional)



Remove the bottom cover in the remote control.

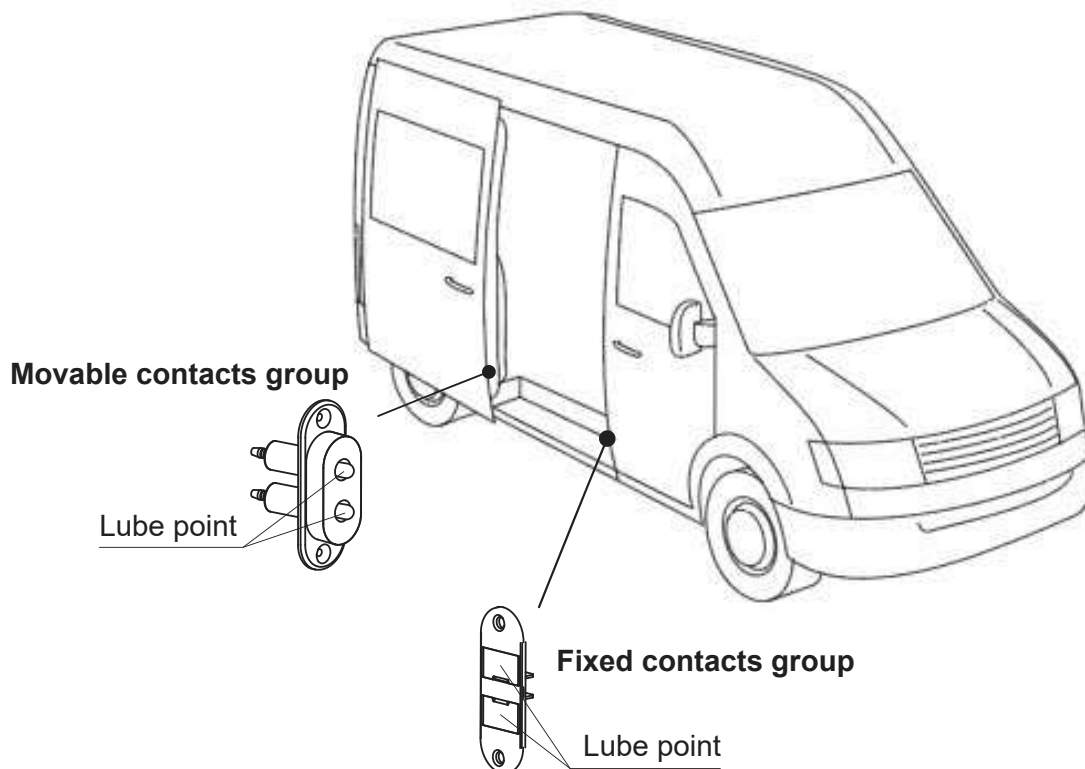
Battery type: CR2016, 2 pieces

Please document or have documented any maintenance work carried out in the service certificate

! Carry out the first maintenance one month after initial installation

! If the drive knocks, cracks, creaks or the sliding door shakes shake, contact your vehicle service center or us immediately. service or to us

## Arrangement of the sliding door contacts groups



The Ador warranty for this drive is 12 months or 150,000 opening/closing cycles in the vehicle, e.g. minibus.

There are no warranty claims for the following components:

- Sliding door contacts
- Control button

Exclusion from the warranty:

- No professional installation of the drive
- Missing or incorrectly completed warranty certificate
- Damaged component labeling
- Maintenance certificates not available or deadline not met
- Damage caused by improper operation or maintenance
- Unauthorized connection of additional components that affect the drive functionality and any other electrical modification
- No professional repair or accidental damage

# WARRANTY CERTIFICATE

12

Details of the vehicle:

Manufacturer and type: \_\_\_\_\_

Body: \_\_\_\_\_

Vehicle identification number (VIN): \_\_\_\_\_

Assembly:

Date of installation: \_\_\_\_\_ (warranty start date for 12-month warranty)

The installation was carried out by (name, address or stamp):

\_\_\_\_\_  
\_\_\_\_\_  
\_\_\_\_\_  
\_\_\_\_\_

The customer confirms that he has no claims for defects regarding the drive and its installation.

He is aware of the safety instructions and the warranty and confirms this.

\_\_\_\_\_  
Place, date, signature customer



Dear customers,

for warranty claims and service enquiries, please contact our representative in Germany.

Ador Germany  
c/o BBT Sauer Engineering Office

Fellhornweg 24  
D-89231 Neu-Ulm

+49 731 250 68 210  
info@ador-eu.de  
<https://ador-eu.de/>

The reprinting or other reproduction of documentation and accompanying documents of the products, even in part, is only in extracts, is only permitted with the express authorisation of the responsible ADOR country representative.

Subject to technical changes.